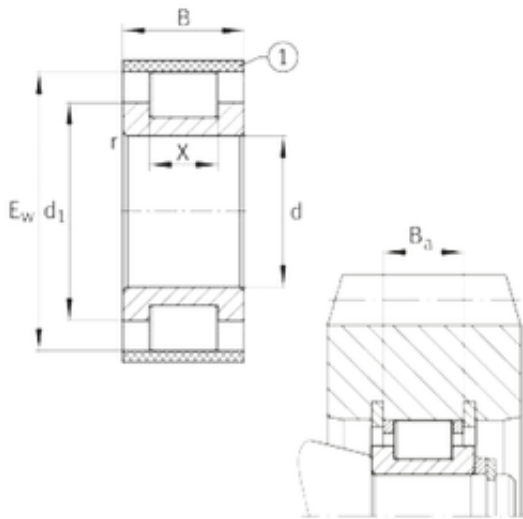




# NTN DRIVESHAFT ANDERSON, INC.



## INA RSL183008-A cylindrical roller bearings

Bearing No. RSL183008-A

Size	40x61.74x21 mm
Bore Diameter	40 mm
Outer Diameter	61,74 mm
Width	21 mm
d	40 mm
Ew	61,74 mm
B	21 mm
Ba	18,7 mm
X	12 mm
d1	50,5 mm
r min.	1 mm
Weight	0,2 Kg
Basic dynamic load rating (C)	66 kN
Basic static load rating (C0)	68 kN

RSL183008-A Bearing 2D drawings and 3D CAD models