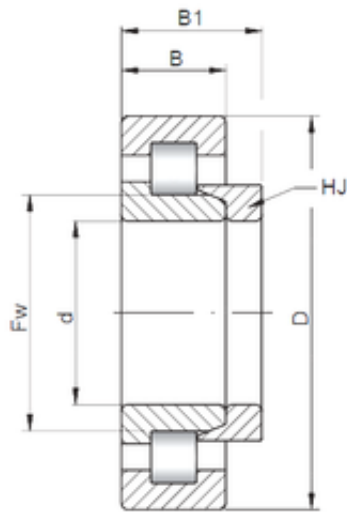




NTN DRIVESHAFT ANDERSON, INC.



80 mm x 140 mm x 33 mm ISO NH2216
cylindrical roller bearings

Bearing No. NH2216

Size	80x140x33 mm
Bore Diameter	80 mm
Outer Diameter	140 mm
Width	33 mm
d	80 mm
D	140 mm
B	33 mm
C	33 mm
B1	8 mm
B2	12,5 mm

NH2216 Bearing 2D drawings and 3D CAD models