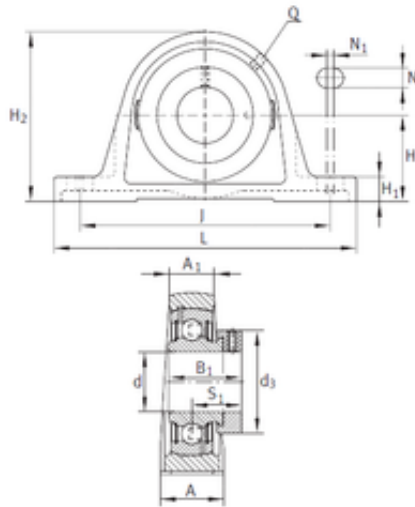




NTN DRIVESHAFT ANDERSON, INC.



INA PAK1-7/16 bearing units

Bearing No. PAK1-7/16

Bore Diameter	36,513 mm
d	36,513 mm
S1	29,49 mm
Thread (Q)	1/8 NPT
d3	51,004 mm
A	46,508 mm
A1	29,007 mm
B	38,989 mm
H	46 mm
H1	17,399 mm
H2	92,101 mm
J	129,998 mm
L	172,009 mm
N	15,012 mm
N1	7,9 mm

PAK1-7/16 Bearing 2D drawings and 3D CAD models