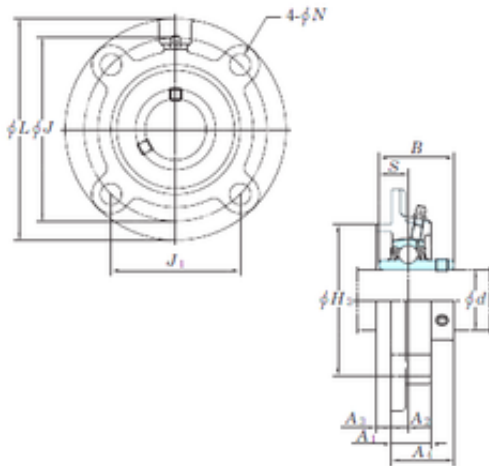




NTN DRIVESHAFT ANDERSON, INC.

KOYO UCFCX12E bearing units



Bearing No. UCFCX12E

Bore Diameter	60 mm
d	60 mm
H3	139,7 mm
A4	50,7 mm
A1	33 mm
B	65,1 mm
J	165 mm
L	194 mm
N	16 mm
S	25,4 mm
Bolt (G)	M14
A2	11 mm
A3	20 mm
J1	116,7 mm
Weight	5,3 Kg
Basic dynamic load rating (C)	57,2 kN
Basic static load rating (C0)	40,1 kN

UCFCX12E Bearing 2D drawings and 3D CAD models