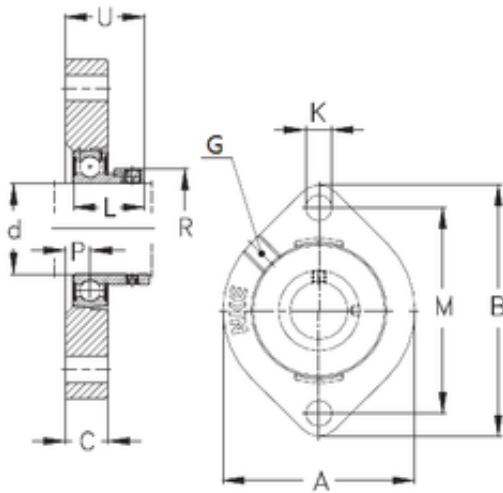




NTN DRIVESHAFT ANDERSON, INC.



NKE GLCTE15 bearing units

Bearing No. GLCTE15

Bore Diameter	15 mm
d	15 mm
P	8,4 mm
U	30,5 mm
K	6,6 mm
A	58,7 mm
B	81 mm
C	15 mm
L	28,6 mm
M	63,5 mm
R	28 mm
Thread (G)	M6

GLCTE15 Bearing 2D drawings and 3D CAD models