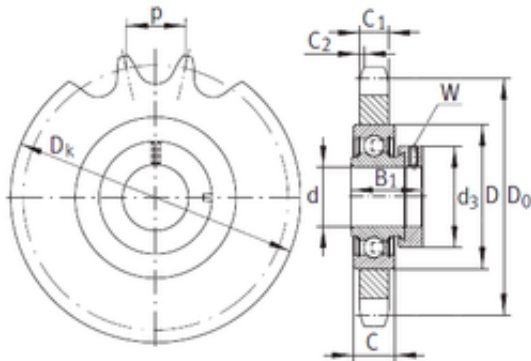




NTN DRIVESHAFT ANDERSON, INC.

INA KSR20-B0-08-10-18-15 bearing units



Bearing No. KSR20-B0-08-10-18-15

Bore Diameter	20 mm
d	20 mm
Number of teeth	18
Do	73,1 mm
Dk	78,6 mm
d3	33 mm
B1	31 mm
C	14 mm
C1	7 mm
D	47 mm
W	3 mm
C2	1,1 mm
Weight	0,32 Kg
1	DIN 8187

KSR20-B0-08-10-18-15 Bearing 2D drawings and 3D CAD models