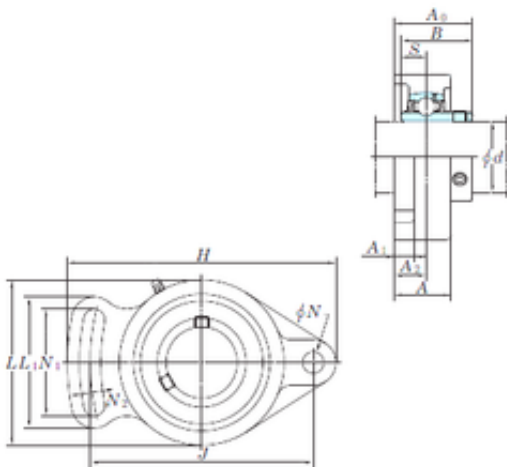




NTN DRIVESHAFT ANDERSON, INC.

KOYO UCFA209 bearing units

Bearing No. UCFA209



UCFA209 Bearing 2D drawings and 3D CAD models

Bore Diameter	45 mm
d	45 mm
A0	52 mm
A	40 mm
A1	14 mm
B	49,2 mm
H	179 mm
J	148 mm
L	111 mm
L1	88 mm
N	15 mm
N1	72 mm
S	19 mm
Bolt (G)	M14
A2	21,8 mm
N2	15 mm
Weight	1,7 Kg
Basic dynamic load rating (C)	34,1 kN
Basic static load rating (C0)	21,3 kN