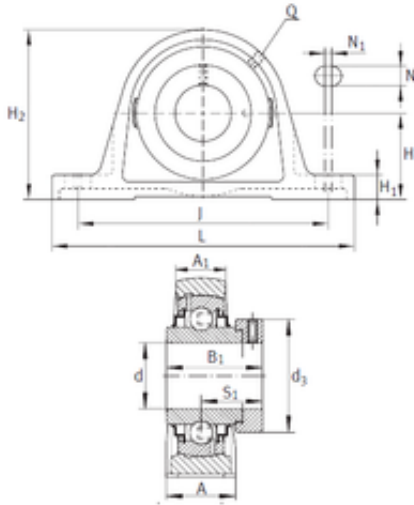




NTN DRIVESHAFT ANDERSON, INC.



INA RAK2-3/16 bearing units

Bearing No. RAK2-3/16

Bore Diameter	55,563 mm
d	55,563 mm
S1	43,612 mm
Thread (Q)	1/8 NPT
d3	75,997 mm
A	62,51 mm
A1	35,002 mm
B	71,4 mm
H	61,9 mm
H1	23,394 mm
H2	124,892 mm
J	175,743 mm
L	224,994 mm
N	18,009 mm
N1	11,253 mm
Category	Pillow Block Bearings
Inventory	0.0
Manufacturer Name	SCHAEFFLER GROUP
Minimum Buy Quantity	N/A
Weight / Kilogram	4
Product Group	M06110
Number of Mounting Holes	2
Mounting Method	Eccentric Collar
Housing Style	2 Bolt Pillow Block
Rolling Element	Ball Bearing
Housing Material	Cast Iron

RAK2-3/16 Bearing 2D drawings and 3D CAD models



NTN DRIVESHAFT ANDERSON, INC.

Expansion / Non-expansion	Non-expansion
Relubricatable	Yes
Insert Part Number	G1203KRRB
Seals	Double Land Riding Rubber Contact
Housing Configuration	1 Piece Solid
Inch - Metric	Inch
Other Features	Single Row Low Base With Set Screw
Long Description	2 Bolt Pillow Block; 2-3/16" Bore; 2-7/16" Base to Center Height; Eccentric Collar Mount; Ball Bearing; 6.476" Minimum Bolt Spacing; 7.362" Bolt Spacing Maximum; Relubricatable; Ca
Category	Pillow Block
UNSPSC	31171511
Harmonized Tariff Code	8483.20.40.40
Noun	Bearing
Keyword String	Pillow Block
Manufacturer URL	http://www.ina.com
Manufacturer Item Number	RAK2-3/16
Weight / LBS	8.82
Length Thru Bore	2.811 Inch 71.4 Millimeter
Bore	2.188 Inch 55.575 Millimeter
Nominal Bolt Center to Center	6.8 Inch 171.5 Millimeter
Bolt Spacing Minimum	6.476 Inch 164.5 Millimeter
Bolt Spacing Maximum	7.362 Inch 187 Millimeter
Base to Center Height	2.438 Inch 61.925 Millimeter
Actual Bolt Center to Center	0 Inch 0 Millimeter



NTN DRIVESHAFT ANDERSON, INC.