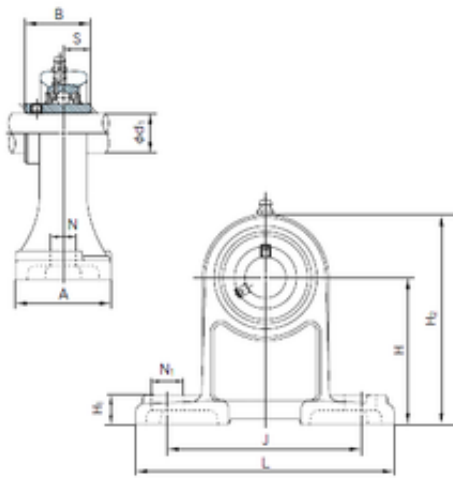




NTN DRIVESHAFT ANDERSON, INC.

NACHI UCPH204 bearing units

Bearing No. UCPH204



UCPH204 Bearing 2D drawings and 3D CAD models

Bore Diameter	20 mm
Width	31 mm
d	20 mm
A	40 mm
B	31 mm
H	70 mm
H1	15 mm
H2	101 mm
J	95 mm
L	127 mm
N	13 mm
N1	19 mm
S	12.7 mm
Bolt (G)	M10