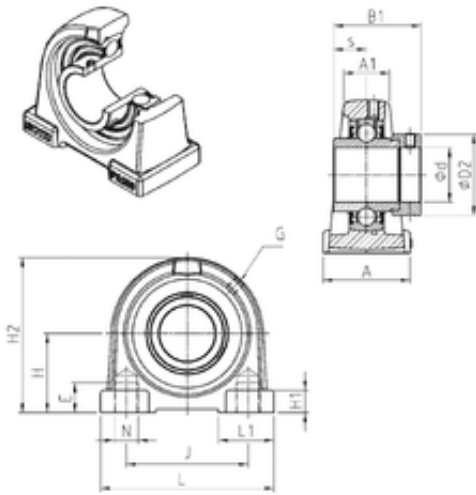




NTN DRIVESHAFT ANDERSON, INC.

SNR EXPA212 bearing units

Bearing No. EXPA212



EXPA212 Bearing 2D drawings and 3D CAD models

Bore Diameter	60 mm
d	60 mm
s	30,9 mm
A	68 mm
A1	36 mm
B1	77,7 mm
D2	84,2 mm
E	25 mm
H	69,9 mm
H1	15 mm
H2	138 mm
J	114 mm
L	150 mm
L1	52 mm
Thread (G)	M6x1
Thread (N1)	M16
Weight	4,5 Kg
Basic dynamic load rating (C)	52,5 kN