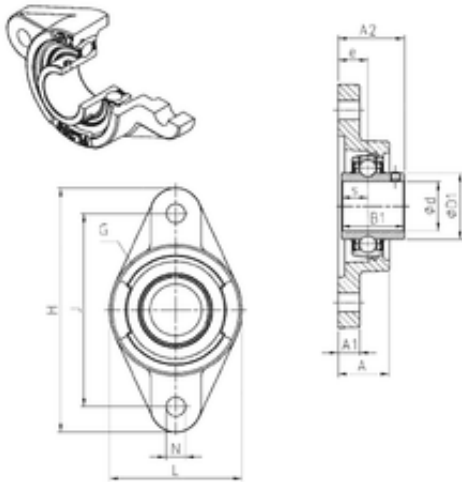




NTN DRIVESHAFT ANDERSON, INC.



SNR UCFL214 bearing units

Bearing No. UCFL214

Bore Diameter	70 mm
d	70 mm
e	31 mm
s	30,2 mm
A	54 mm
A1	20 mm
B1	74,6 mm
D1	86,5 mm
H	265 mm
J	216 mm
L	160 mm
N	23 mm
Thread (G)	M10x1
A2	75,4 mm
Weight	5,4 Kg
Basic dynamic load rating (C)	62 kN

UCFL214 Bearing 2D drawings and 3D CAD models