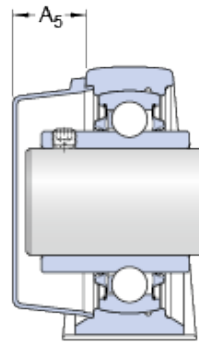
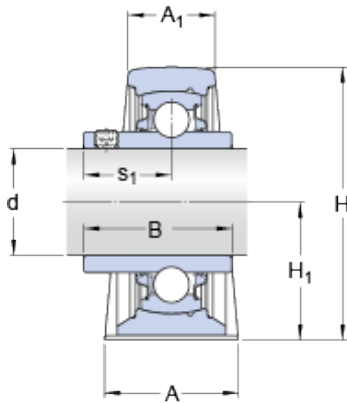




NTN DRIVESHAFT ANDERSON, INC.



SKF SY 40 TDW bearing units

Bearing No. SY 40 TDW

Size	40x48x30 mm
Bore Diameter	40 mm
Outer Diameter	48 mm
Width	30 mm
d	40 mm
A	48 mm
A ₁	30 mm
A ₅	23.5 mm
B	49.2 mm
H	99 mm
H ₁	49.2 mm
H ₂	19 mm
J	135.5 mm
J - max.	146 mm
J - min.	125 mm
L	175 mm
H	24.5 mm
N ₁	14 mm
s ₁	30.2 mm
J ₆	161 mm
J ₇	17 mm
N ₄	4 mm
Basic dynamic load rating - C	30.7 kN
Basic static load rating - C ₀	19 kN

SY 40 TDW Bearing 2D drawings and 3D CAD models



NTN DRIVESHAFT ANDERSON, INC.

Fatigue load limit - P_u	0.8 kN
Limiting speed	950 r/min
Weight	1.8 kg
Hexagonal key size for grub screw - H	4 mm
Housing material	Cast iron
A_1	30 mm
A_5	23.5 mm
B_4	8 mm
H_1	49.2 mm
H_2	19 mm
J max.	146 mm
J min.	125 mm
N	24.5 mm
N_1	14 mm
s_1	30.2 mm
J_6	161 mm
J_7	17 mm
N_4	4 mm
Basic dynamic load rating C	30.7 kN
Basic static load rating C_0	19 kN
Fatigue load limit P_u	0.8 kN
Mass bearing unit	1.8 kg
Thread grub screw G_2	M8x1
Hexagonal key size for grub screw N	4 mm
Recommended tightening torque for grub screw	6.5 N · m
Recommended diameter for attachment bolts, mm G	12 mm
Recommended diameter for attachment bolts, inch G	0.5 in
Housing	SY 508 M/VZ033