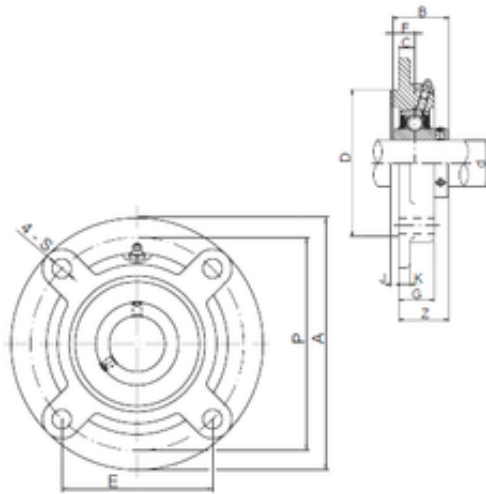




NTN DRIVESHAFT ANDERSON, INC.

60 mm x 135 mm x 65,1 mm ISO UCFC212 bearing units



Bearing No. UCFC212

Bore Diameter	60 mm
d	60 mm
P	160 mm
Z	56,7 mm
A	195 mm
B	65,1 mm
C	17 mm
D	135 mm
E	113,1 mm
F	25,4 mm
G	36 mm
J	12 mm
K	15 mm
S	19 mm
Bolt (G)	M16

UCFC212 Bearing 2D drawings and 3D CAD models