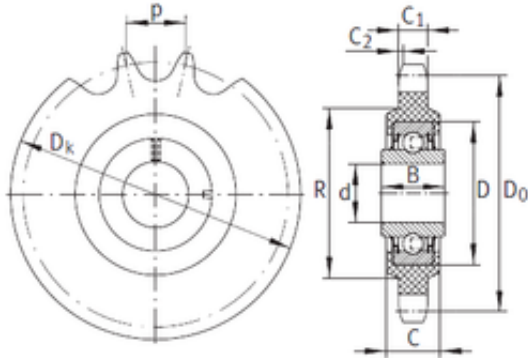




# NTN DRIVESHAFT ANDERSON, INC.

16,2 mm x 40 mm x 18,3 mm INA  
KSR16-L0-12-10-15-22 bearing units



Bearing No. KSR16-L0-12-10-15-22

Size	16.2x40x18.3 mm
Bore Diameter	16,2 mm
Outer Diameter	40 mm
Width	18,3 mm
d	16,2 mm
D	40 mm
B	18,3 mm
Number of teeth	15
Do	91,6 mm
Dk	99,2 mm
C	18 mm
C1	10,5 mm
R	48 mm
C2	1,5 mm
Weight	0,36 Kg
1	DIN 8187

KSR16-L0-12-10-15-22 Bearing 2D drawings and 3D CAD models