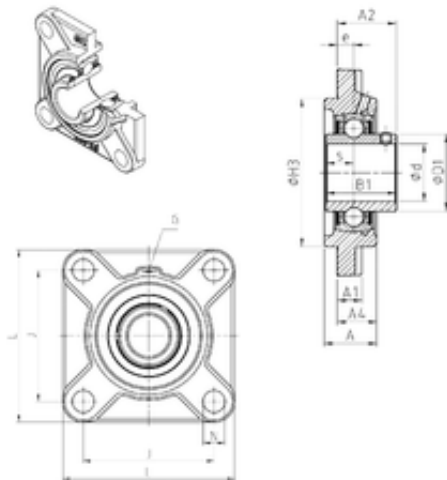




NTN DRIVESHAFT ANDERSON, INC.



SNR UCFS313 bearing units

Bearing No. UCFS313

Bore Diameter	65 mm
d	65 mm
H3	175 mm
A4	40 mm
e	15 mm
s	30 mm
A	58 mm
A1	22 mm
B1	75 mm
D1	87,5 mm
J	166 mm
L	208 mm
N	23 mm
Thread (G)	M6x1
A2	60 mm
Weight	8,8 Kg
Basic dynamic load rating (C)	93,86 kN

UCFS313 Bearing 2D drawings and 3D CAD models