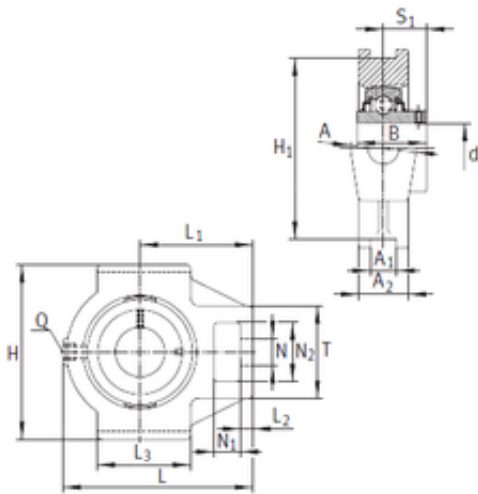




# NTN DRIVESHAFT ANDERSON, INC.



RTUEY25 Bearing 2D drawings and 3D CAD models

## INA RTUEY25 bearing units

Bearing No. RTUEY25

Bore Diameter	25 mm
d	25 mm
S1	19,8 mm
Thread (Q)	Rp1/8
L2	10 mm
L3	50 mm
A	37 mm
A1	12 mm
B	34,1 mm
H	90 mm
H1	76 mm
L	98,5 mm
L1	62 mm
N	19 mm
N1	18 mm
T	51 mm
A2	25 mm
N2	32 mm
Weight	0,86 Kg
Basic dynamic load rating (C)	14 kN
Category	Take Up Unit Bearings
Inventory	0.0
Manufacturer Name	SCHAEFFLER GROUP
Minimum Buy Quantity	N/A
Weight / Kilogram	1.03
EAN	4012802794885



## NTN DRIVESHAFT ANDERSON, INC.

Product Group	M06110
Component Description	Take Up Bearing Only
Rolling Element	Ball Bearing
Housing Style	Unit Only
Mounting Method	Set Screw
Compatible Take Up Frame	Not Specified
Adjustment Travel Length	0
Insert Part Number	GYE25KRRB
Housing Material	Cast Iron
Other Features	Single Row   Spherical   Double Land Riding Rubber Contact Seal
Inch - Metric	Metric
Long Description	Take Up Bearing Only; 25MM Bore; 12MM Slot Width; 76MM Slot to Slot Distance; Ball Bearing; Unit Only; Set Screw Mount; GYE25KRRB Insert Part; Cast Iron Housing Material
Category	Take Up Units
UNSPSC	31171533
Harmonized Tariff Code	8483.20.40.40
Noun	Bearing
Keyword String	Take Up
Manufacturer URL	<a href="http://www.ina.com">http://www.ina.com</a>
Weight / LBS	1.9
Slot Width	0.472 Inch   12 Millimeter
Slot to Slot Distance	2.992 Inch   76 Millimeter
Bore	0.984 Inch   25 Millimeter