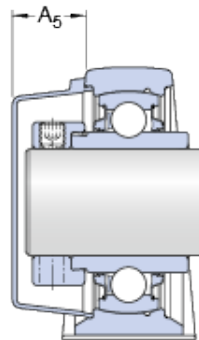
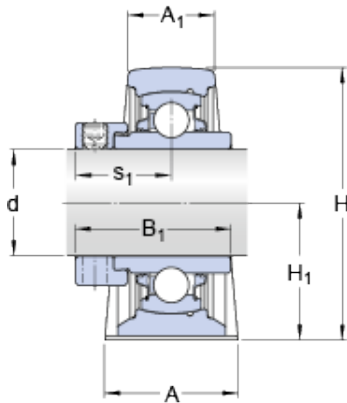




# NTN DRIVESHAFT ANDERSON, INC.



## SKF SY 40 WDW bearing units

Bearing No. SY 40 WDW

Size	40x48x30 mm
Bore Diameter	40 mm
Outer Diameter	48 mm
Width	30 mm
d	40 mm
A	48 mm
A <sub>1</sub>	30 mm
A <sub>5</sub>	23.5 mm
B <sub>1</sub>	56.3 mm
H	99 mm
H <sub>1</sub>	49.2 mm
H <sub>2</sub>	19 mm
J	135.5 mm
J - max.	146 mm
J - min.	125 mm
L	175 mm
H	24.5 mm
N <sub>1</sub>	14 mm
s <sub>1</sub>	34.9 mm
J <sub>6</sub>	161 mm
J <sub>7</sub>	17 mm
N <sub>4</sub>	4 mm
Basic dynamic load rating - C	30.7 kN
Basic static load rating - C <sub>0</sub>	19 kN

SY 40 WDW Bearing 2D drawings and 3D CAD models



## NTN DRIVESHAFT ANDERSON, INC.

Fatigue load limit - $P_u$	0.8 kN
Limiting speed	950 r/min
Weight	1.9 kg
Hexagonal key size for grub screw - H	5 mm
Housing material	Cast iron
$A_1$	30 mm
$A_5$	23.5 mm
$B_1$	56.3 mm
$H_1$	49.2 mm
$H_2$	19 mm
J max.	146 mm
J min.	125 mm
N	24.5 mm
$N_1$	14 mm
$s_1$	34.9 mm
$J_6$	161 mm
$J_7$	17 mm
$N_4$	4 mm
Basic dynamic load rating C	30.7 kN
Basic static load rating $C_0$	19 kN
Fatigue load limit $P_u$	0.8 kN
Mass bearing unit	1.9 kg
Thread grub screw $G_2$	M10x1
Hexagonal key size for grub screw N	5 mm
Recommended tightening torque for grub screw	16.5 N · m
Recommended diameter for attachment bolts, mm G	12 mm
Recommended diameter for attachment bolts, inch G	0.5 in
Housing	SY 508 M/VZ033