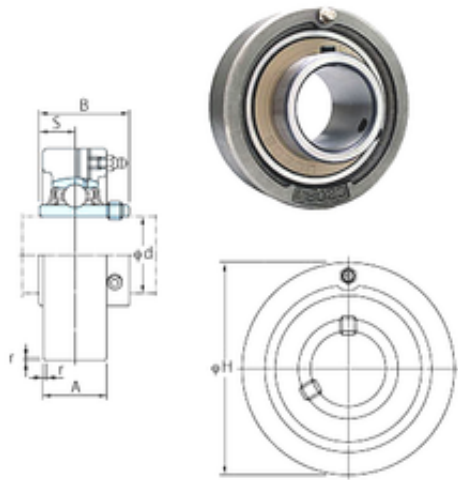




NTN DRIVESHAFT ANDERSON, INC.

FYH UCC206-18 bearing units

Bearing No. UCC206-18



Bore Diameter	28,575 mm
Width	38,1 mm
d	28,575 mm
r	1,5 mm
A	27 mm
B	38,1 mm
H	85 mm
S	15,9 mm
Weight	0,81 Kg
Basic dynamic load rating (C)	19,5 kN
Basic static load rating (C0)	11,3 kN

UCC206-18 Bearing 2D drawings and 3D CAD models