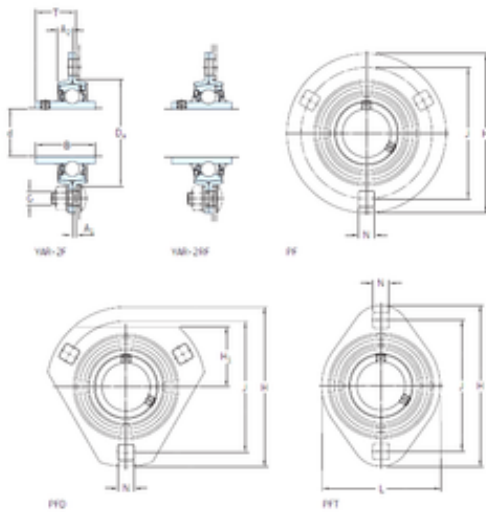




NTN DRIVESHAFT ANDERSON, INC.



PF 15 FM Bearing 2D drawings and 3D CAD models

SKF PF 15 FM bearing units

Bearing No. PF 15 FM

Bore Diameter	15 mm
d	15 mm
Da	49 mm
A1	2 mm
B1	28,6 mm
G	6 mm
H	81 mm
H1	– mm
J	63 mm
L	–
N	7,1 mm
T	24,1 mm
A2	7 mm
Weight	0,24 Kg
Basic dynamic load rating (C)	9,56 kN
Basic static load rating (C0)	4,75 kN
Housing material	Pressed steel
A ₁	2 mm
A ₂	7 mm
B	19.1 mm
B ₄	4.75 mm
D _a min.	44 mm
s ₁	22.1 mm
Basic dynamic load rating C	9.56 kN
Basic static load rating C ₀	4.75 kN
Fatigue load limit P _u	0.2 kN



NTN DRIVESHAFT ANDERSON, INC.

Permissible radial housing load max.	2.5 kN
Mass unit	0.25 kg
Thread grub screw G_2	M6x0.75
Hexagonal key size for grub screw N	3 mm
Recommended tightening torque for grub screw	4 N · m
Recommended diameter for attachment bolts, mm G	6 mm
Recommended diameter for attachment bolts, inch G	0.25 in