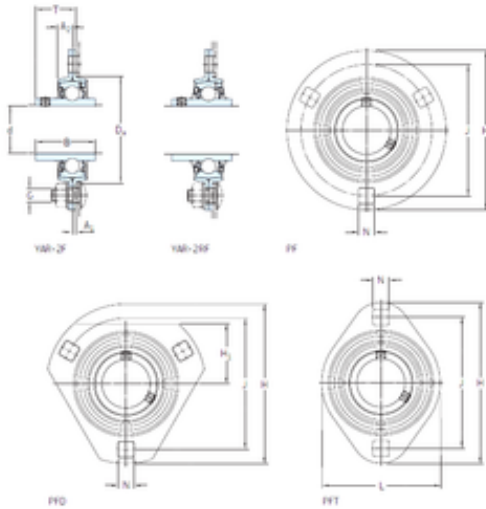




NTN DRIVESHAFT ANDERSON, INC.



PFD 40 WF Bearing 2D drawings and 3D CAD models

SKF PFD 40 WF bearing units

Bearing No. PFD 40 WF

Bore Diameter	40 mm
d	40 mm
Da	91 mm
A1	3,5 mm
B1	56,3 mm
G	12 mm
H	148 mm
H1	53 mm
J	119 mm
L	—
N	13,5 mm
T	38,4 mm
A2	10 mm
Weight	1,15 Kg
Basic dynamic load rating (C)	30,7 kN
Basic static load rating (C0)	19 kN
Housing material	Pressed steel
A ₁	3.5 mm
A ₂	10 mm
B	42.8 mm
B ₄	6.75 mm
D _a min.	87 mm
H ₁	53 mm
s ₁	34.9 mm
Basic dynamic load rating C	30.7 kN
Basic static load rating C ₀	19 kN



NTN DRIVESHAFT ANDERSON, INC.

Fatigue load limit P_u	0.8 kN
Permissible radial housing load max.	7.5 kN
Mass unit	1.15 kg
Thread grub screw G_2	M10x1
Hexagonal key size for grub screw N	5 mm
Recommended tightening torque for grub screw	16.5 N · m
Recommended diameter for attachment bolts, mm G	12 mm
Recommended diameter for attachment bolts, inch G	0.5 in
Bearing	YEL 208-2F
Housing	PFD 80