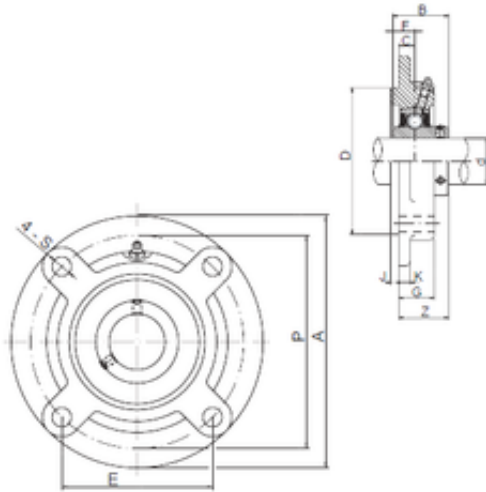




NTN DRIVESHAFT ANDERSON, INC.

30 mm x 85 mm x 42,9 mm ISO UCFCX06
bearing units



Bearing No. UCFCX06

Bore Diameter	30 mm
d	30 mm
P	105 mm
Z	33,4 mm
A	127 mm
B	42,9 mm
C	8 mm
D	85 mm
E	74,2 mm
F	17,5 mm
G	22,5 mm
J	9,5 mm
K	9,5 mm
S	12 mm
Bolt (G)	M10

UCFCX06 Bearing 2D drawings and 3D CAD models