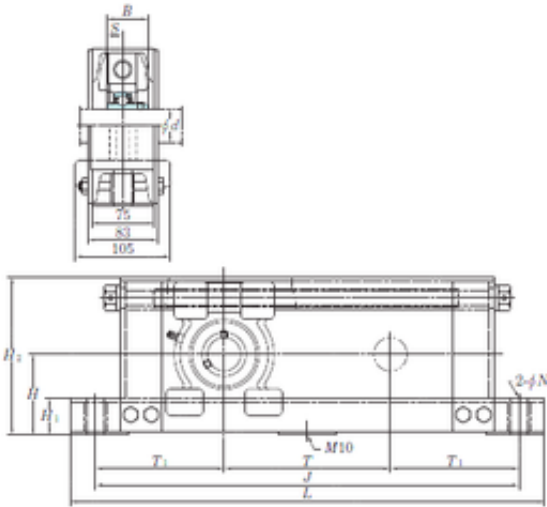




NTN DRIVESHAFT ANDERSON, INC.

KOYO UCTU208-700 bearing units

Bearing No. UCTU208-700



UCTU208-700 Bearing 2D drawings and 3D CAD models

Bore Diameter	40 mm
Width	49,2 mm
d	40 mm
T1	155 mm
B	49,2 mm
H	97 mm
H1	44 mm
H2	190 mm
J	1010 mm
L	1070 mm
N	22 mm
S	19 mm
T	700 mm
Bolt (G)	M18
Weight	24 Kg
Basic dynamic load rating (C)	29,1 kN
Basic static load rating (C0)	17,8 kN