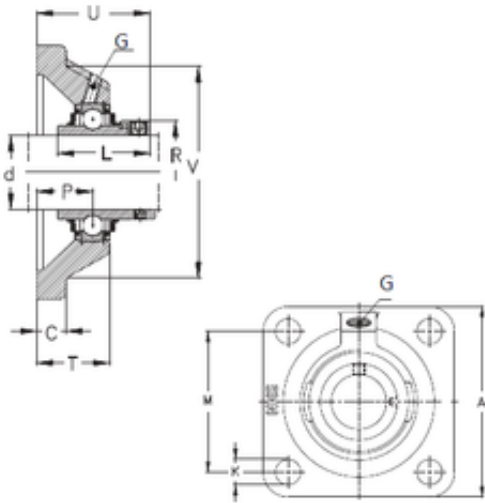




# NTN DRIVESHAFT ANDERSON, INC.

## NKE RCJ90 bearing units

Bearing No. RCJ90



RCJ90 Bearing 2D drawings and 3D CAD models

Bore Diameter	90 mm
d	90 mm
P	23,8 mm
V	200 mm
U	70,3 mm
K	23 mm
A	235 mm
C	22 mm
L	69,5 mm
M	187 mm
R	118 mm
T	39,8 mm
Thread (G)	R1/8 "