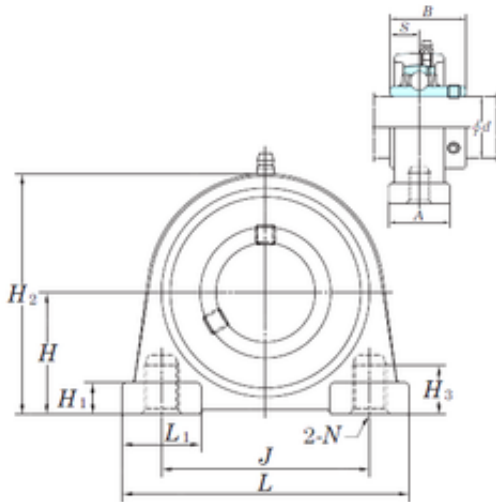




# NTN DRIVESHAFT ANDERSON, INC.

## KOYO UCSPA205H1S6 bearing units

Bearing No. UCSPA205H1S6



UCSPA205H1S6 Bearing 2D drawings and 3D CAD models

Bore Diameter	25 mm
Width	34,1 mm
d	25 mm
H3	13 mm
A	30 mm
B	34,1 mm
H	36,5 mm
H1	12 mm
H2	69 mm
J	56 mm
L	84 mm
L1	24 mm
S	14,3 mm
Bolt (G)	M10 × 1,5
Weight	0,63 Kg
Basic dynamic load rating (C)	11,9 kN
Basic static load rating (C0)	6,3 kN