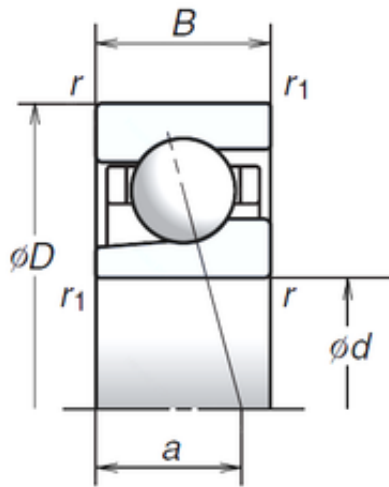




NTN DRIVESHAFT ANDERSON, INC.



20 mm x 47 mm x 14 mm NSK 20BGR02S
angular contact ball bearings

Bearing No. 20BGR02S

| | |
|-------------------------------|--------------|
| Size | 20x47x14 mm |
| Bore Diameter | 20 mm |
| Outer Diameter | 47 mm |
| Width | 14 mm |
| d | 20 mm |
| D | 47 mm |
| B | 14 mm |
| C | 14 mm |
| Angle (°) | 15 ° |
| a | 11,5 mm |
| r min. | 1 mm |
| r1 min. | 0,6 mm |
| Weight | 0,103 Kg |
| Basic dynamic load rating (C) | 9,7 kN |
| Basic static load rating (C0) | 4,1 kN |
| (Grease) Lubrication Speed | 47 800 r/min |
| (Oil) Lubrication Speed | 65 700 r/min |

20BGR02S Bearing 2D drawings and 3D CAD models