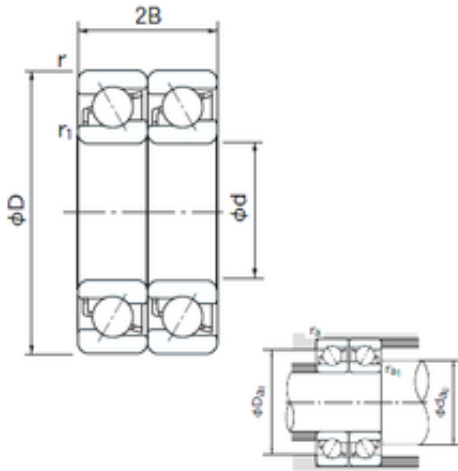




NTN DRIVESHAFT ANDERSON, INC.



160 mm x 340 mm x 68 mm NACHI 7332DT
angular contact ball bearings

Bearing No. 7332DT

7332DT Bearing 2D drawings and 3D CAD models

Size	160x340x68 mm
Bore Diameter	160 mm
Outer Diameter	340 mm
Width	68 mm
d	160 mm
D	340 mm
B	68 mm
C	68 mm
Angle (°)	30 °
a	38.2 mm
r min.	4 mm
r1 min.	1.5 mm
2B	136 mm
da min.	169 mm
Da max.	331 mm
ra max.	1.5 mm
Weight	30.2 Kg
Basic dynamic load rating (C)	565 kN
Basic static load rating (C0)	845 kN
(Grease) Lubrication Speed	1400 r/min
Bore Type	Cylindrical Bore
Enclosure	Open
Configuration	Duplex
Bore Size	160 mm
Outside Diameter	340 mm



NTN DRIVESHAFT ANDERSON, INC.

Width	68 mm
Fillet Radius/Chamfer	4 mm
r1	1.5 mm
Dynamic Load Rating	565,000 N
Static Load Rating	845,000 N
Limiting Speed - Grease	1,400 rpm
Limiting Speed - Oil	1,800 rpm
da1 (min)	178 mm
da2 (min)	169 mm
Da1 (max)	322 mm
Da2 (max)	331 mm
ra (max)	3 mm
ra1 (max)	1.5 mm