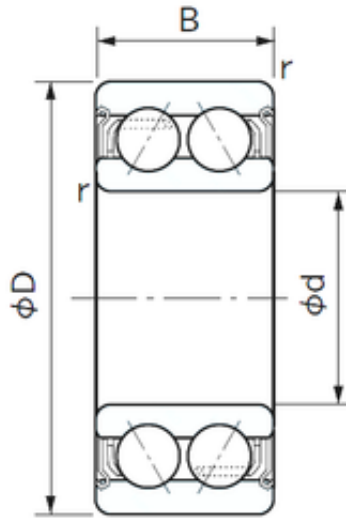




NTN DRIVESHAFT ANDERSON, INC.



55 mm x 100 mm x 33.3 mm NACHI 5211ZZ
angular contact ball bearings

Bearing No. 5211ZZ

5211ZZ Bearing 2D drawings and 3D CAD models

Size	55x100x33.3 mm
Bore Diameter	55 mm
Outer Diameter	100 mm
Width	33.3 mm
d	55 mm
D	100 mm
B	33.3 mm
C	33.3 mm
r min.	1.5 mm
Weight	0.960 Kg
Basic dynamic load rating (C)	57,5 kN
Basic static load rating (C0)	50,5 kN
Category	Angular Contact Ball Bearings
Inventory	2.0
Manufacturer Name	NACHI
Minimum Buy Quantity	N/A
Weight / Kilogram	0.962
EAN	4991893602609
Product Group	B00152
Enclosure	2 Metal Shields
Flush Ground	No
Rolling Element	Ball Bearing
Number of Rows of Balls	Double Row
Precision Class	ABEC 1 ISO P0



NTN DRIVESHAFT ANDERSON, INC.

Maximum Capacity / Filling Slot	No
Snap Ring	No
Cage Material	Steel
Contact Angle	20 Degree
Internal Clearance	C0-Medium
Number of Bearings	1 (Single)
Inch - Metric	Metric
Long Description	55MM Bore; 100MM Outside Diameter; 33.3MM Width; 2 Metal Shields; No Flush Ground; Ball Bearing; Double Row of Balls; ABEC 1 ISO P0; No Filling Slot; No Snap Ring
Category	Angular Contact Ball Bearing
UNSPSC	31171531
Harmonized Tariff Code	8482.10.50.28
Noun	Bearing
Keyword String	Angular Contact
Manufacturer URL	http://www.nachi.com
Manufacturer Item Number	5211 ZZ BV2S
Weight / LBS	2.12
Bore	2.165 Inch 55 Millimeter
Width	1.311 Inch 33.3 Millimeter
Outside Diameter	3.937 Inch 100 Millimeter
Configuration	Double Row
Bore Type	Cylindrical Bore
Bore Size	55 mm
Fillet Radius/Chamfer	1.5 mm
Dynamic Load Rating	57,500 N
Static Load Rating	50,500 N
Limiting Speed - Oil	4,500 rpm
Radial Clearance	0.008 to 0.028 mm



NTN DRIVESHAFT ANDERSON, INC.

da	64 mm
Da	91 mm
ra	1.5 mm