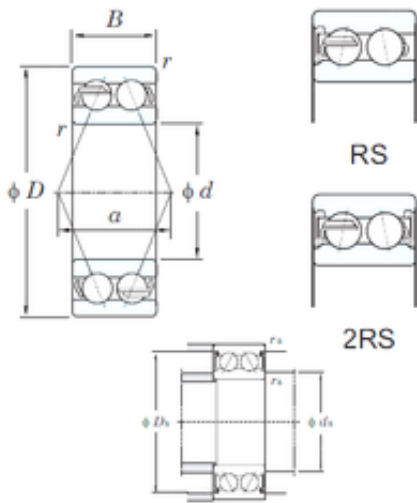




NTN DRIVESHAFT ANDERSON, INC.



20 mm x 52 mm x 22.2 mm KOYO 5304-2RS
angular contact ball bearings

Bearing No. 5304-2RS

Size	20x52x22.2 mm
Bore Diameter	20 mm
Outer Diameter	52 mm
Width	22.2 mm
d	20 mm
D	52 mm
B	22.2 mm
C	22.2 mm
a	25.9 mm
r min.	1.1 mm
da min.	27 mm
da max	28.3 mm
Da max.	45 mm
ra max.	1 mm
Weight	0.230 Kg
Basic dynamic load rating (C)	19.8 kN
Basic static load rating (C0)	12.8 kN

5304-2RS Bearing 2D drawings and 3D CAD models