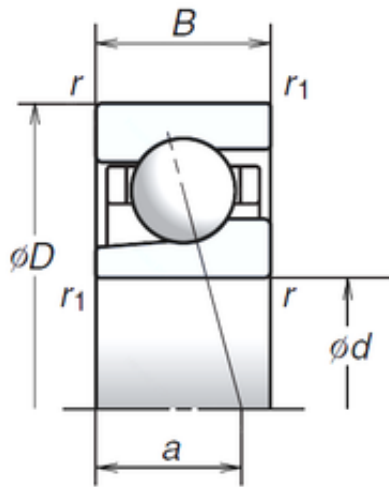




# NTN DRIVESHAFT ANDERSON, INC.



10 mm x 26 mm x 8 mm NSK 10BGR10H  
angular contact ball bearings

Bearing No. 10BGR10H

Size	10x26x8 mm
Bore Diameter	10 mm
Outer Diameter	26 mm
Width	8 mm
d	10 mm
D	26 mm
B	8 mm
C	8 mm
Angle ( ° )	15 °
a	6,4 mm
r min.	0,3 mm
r1 min.	0,15 mm
Weight	0,016 Kg
Basic dynamic load rating (C)	3,5 kN
Basic static load rating (C0)	1,27 kN
(Grease) Lubrication Speed	106 000 r/min
(Oil) Lubrication Speed	156 000 r/min

10BGR10H Bearing 2D drawings and 3D CAD models